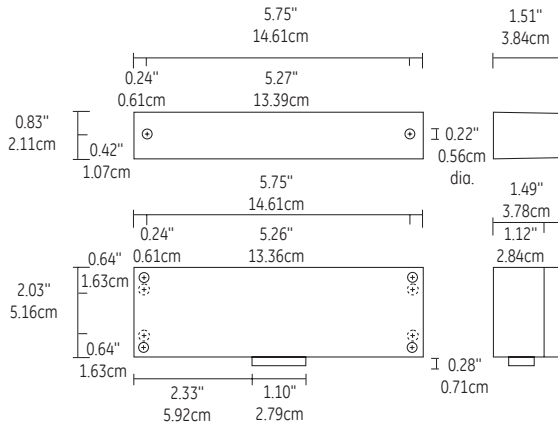




Non-Contact Interlock/Position Switch

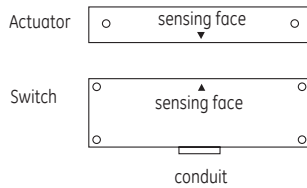
Applications

- Explosive Environments
 - Automotive Paint Companies
 - Industrial Paint Companies
 - Grain Mills
 - Chemical/Toxic Environments
 - Fertilizer Manufacturers
- Enclosure UL classified for hazardous locations classes:
 - Class I, Group B, C, D
 - Class II, Group E, F, G
 - Class III, Divisions 1 & 2



General Specifications

| | |
|--------------------|--|
| Enclosure | UL Explosion proof, Die Cast Aluminum |
| Temperature Range | -40°F to 180°F (-40°C to 80°C) |
| Environmental | Hermetically Sealed Contact Switch Encapsulated in Polyurethane |
| NEMA Rating | 1, 2, 5 |
| Protection Class | IP 64 |
| Response Time | 1 msec; 10 msec (150VA) |
| Life Cycles | 100,000 Under Full Load; Up to 200,000,000 Under Dry Circuit |
| Conduit Connection | 1/2" Threaded NPT |
| UL | Enclosure Only |



INTERLOCK SWITCH
100 SERIES

Order Information Electrical Specifications

| Part Number | Contact ¹ Config. | Load Rating | | Switching Voltage, Max. | | Switching Current, Max. | | Contact Resistance | Sense Range ² Nominal | Break Range Nominal | Terminal Type |
|-------------|------------------------------|-------------|-----|-------------------------|-------------|-------------------------|-------------|--------------------|----------------------------------|---------------------|---------------|
| | | AC | DC | AC | DC | AC | DC | | | | |
| 171-6Z | N.O. | 25VA | 25W | 120V(@0.2A) | 100V(@0.2A) | 0.7A (@35V) | 1.0A (@25V) | 0.2 Ohms | 1.5"(3.8cm) | 2.4"(6.1cm) | #6 Screw |

Warning— Each electrical rating is an individual maximum and cannot be exceeded!

¹ Configuration with actuator away from the switch

² Proximity of ferrous materials usually reduces sense range — typically by 50%. The shape and type of material cause a wide diversity of effects. Testing is required to determine actual sense range for specific applications.